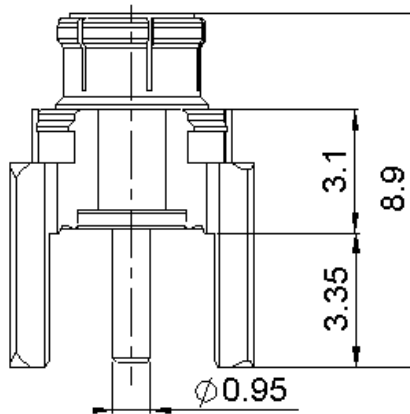
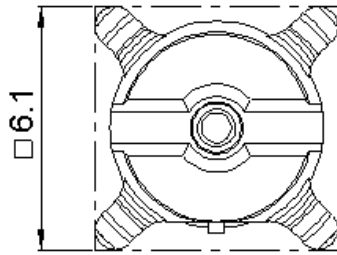


PLUG RECEPTACLE FOR PCB

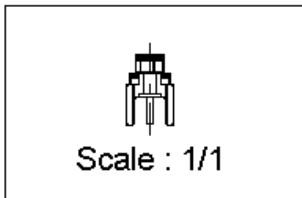
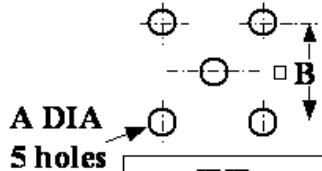
R223.435.000

SOLDER LEGS

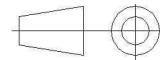
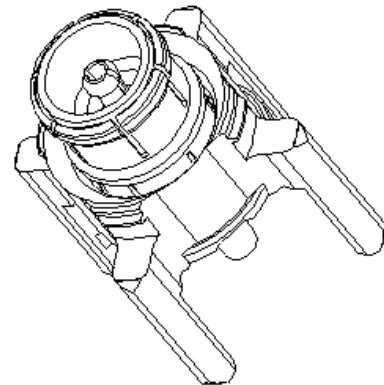
Series : MMBX



PANEL CUT OUT



| | mm | |
|----------|-------------|------------|
| | Maxi | mini |
| A | 1.4 | 1.2 |
| B | 5.16 | 5 |



All dimensions are in mm.

| COMPONENTS | MATERIALS | PLATING (µm) |
|----------------|------------------------------|--------------|
| BODY | BRONZE, BRASS | NPGR |
| CENTER CONTACT | BERYLLIUM COPPER; BRASS | NPGR |
| OUTER CONTACT | - | |
| INSULATOR | LIQUID CRYSTAL POLYMER, PTFE | |
| GASKET | | |
| OTHERS PARTS | | |
| - | - | - |
| - | - | - |

Issue : 0735 B

In the effort to improve our products, we reserve the right to make changes judged to be necessary.



PLUG RECEPTACLE FOR PCB

R223.435.000

SOLDER LEGS

Series : MMBX

PACKAGING

SPECIFICATION

| Standard | Unit | Other |
|------------|-------------------|-------------------|
| 100 | 'W' option | Contact us |

ELECTRICAL CHARACTERISTICS

ENVIRONMENTAL

| | | |
|---------------------------------|-------------------------------|--------------------------|
| Impedance | 50 | Ω |
| Frequency | 0-12.4 | GHz |
| VSWR | 1.083* + 0,0000 | x F(GHz) Maxi |
| Insertion loss | 0.12 | \sqrt{F} (GHz) dB Maxi |
| RF leakage | - (100**) | - F(GHz)) dB Maxi |
| Voltage rating | 330 | Veff Maxi |
| Dielectric withstanding voltage | 1000 | Veff mini |
| Insulation resistance | 1000 | M Ω mini |

| | | |
|-----------------------|-----------------|--------------|
| Operating temperature | -55/+155 | $^{\circ}$ C |
| Hermetic seal | NA | Atm.cm3/s |
| Panel leakage | NA | |

OTHER CHARACTERISTICS

Assembly instruction **NA**

Others :

* to 6 GHz

** Interface MMBX only up to 2.6 GHz

PCB to PCB -45dB up to 2.5 GHz

MECHANICAL CHARACTERISTICS

| | | |
|----------------------------|---------------|-------------|
| Center contact retention | | |
| Axial force – Mating end | 10 | N mini |
| Axial force – Opposite end | 10 | N mini |
| Torque | NA | N.cm mini |
| Recommended torque | | |
| Mating | NA | N.cm |
| Panel nut | NA | N.cm |
| Mating life | 100 | Cycles mini |
| Weight | 0,5140 | g |

Issue : 0735 B

In the effort to improve our products, we reserve the right to make changes judged to be necessary.



PLUG RECEPTACLE FOR PCB

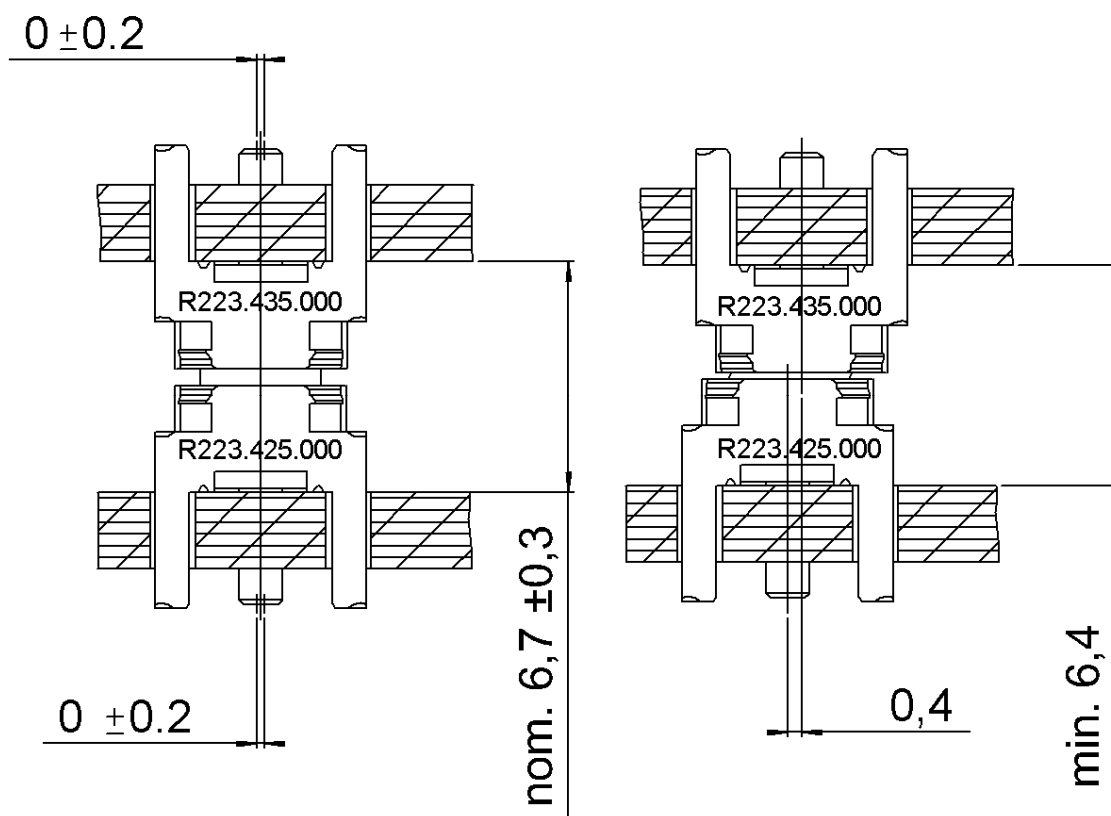
R223.435.000

SOLDER LEGS

Series : MMBX

MMBX SERIES INFORMATIONS

PCB



Issue : 0735 B

In the effort to improve our products, we reserve the right to make changes judged to be necessary.



RADIALL®